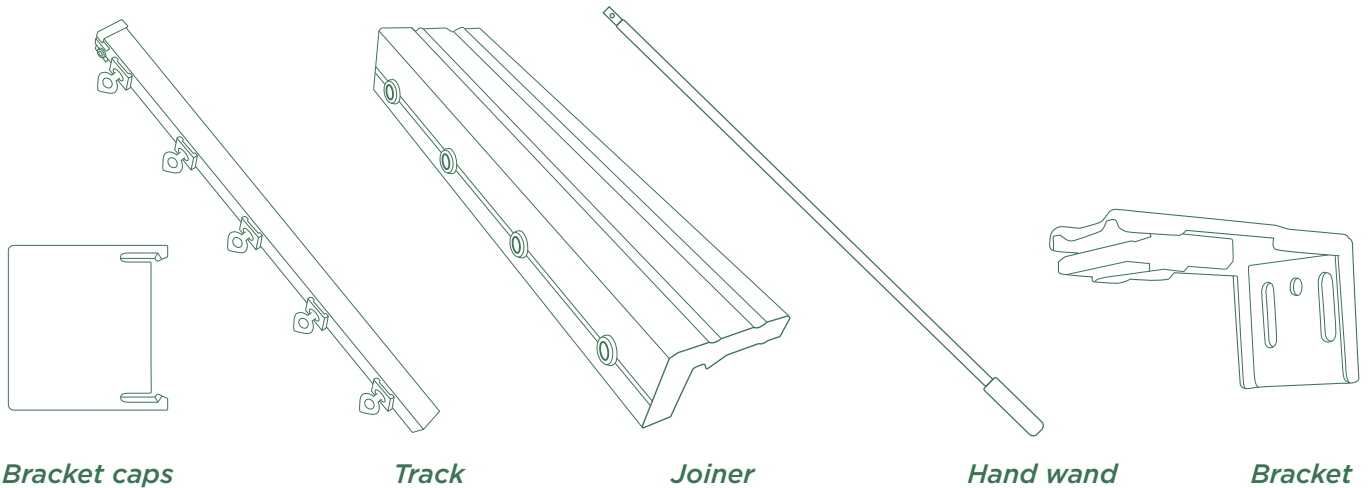


Parts included (not to scale)

- Track
 - Mounting brackets
 - Hand wand
 - Bracket caps
- For tracks over 2200mm:**
- Joiner
 - Hex key



Parts required

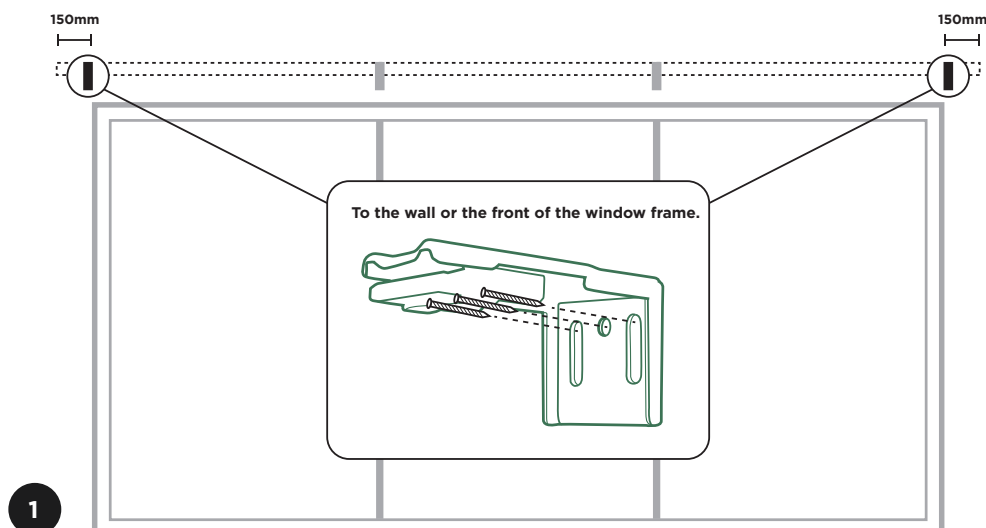
- Drill
- Phillips head screw driver
- 2x mounting screws per bracket

Important notes

1. Please check that all parts have been supplied before you begin to assemble your new curtain track.
2. Ensure that the track is mounted level for correct operation.

Step 1

Position two mounting brackets for fixing at the approximately 150mm from each end of the track. Fasten these brackets to the wall with screws appropriate for your wall material, ensuring the brackets are level. Position and fasten any remaining brackets between the end brackets evenly.

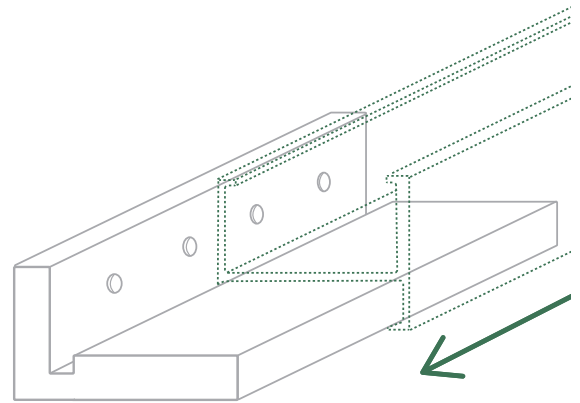


Curtain track installation

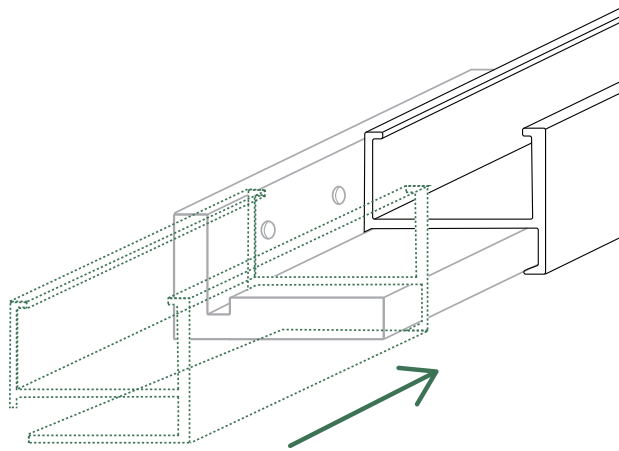
Step 2 (if track is split):

For tracks over certain widths, they will need to be joined together with the joining components supplied.

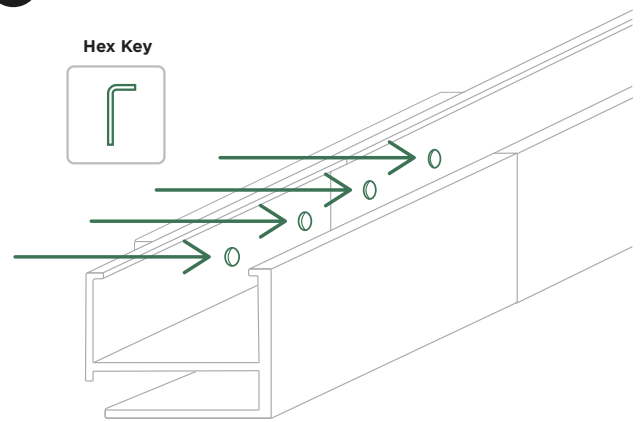
- First, slide the joiner piece half way through one length of track.
- Then slide the second length of track over the exposed half of the joiner.
- Use the supplied hex key to tighten the grub screws, fixing the track firmly together.



2a



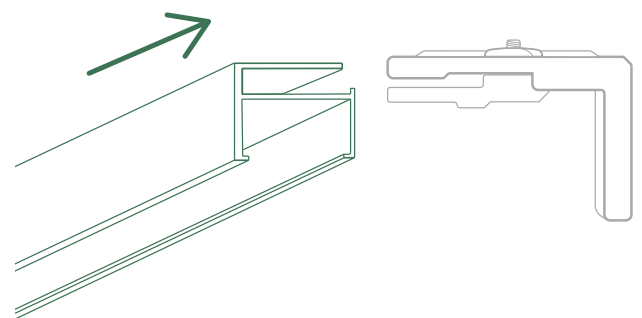
2b



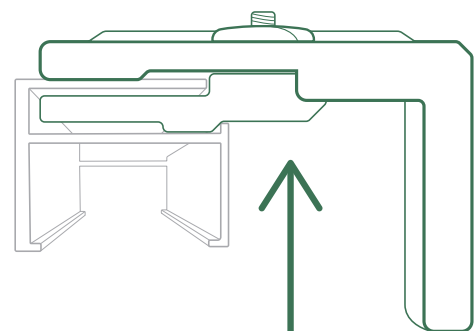
2c

Step 3:

- Clip the track into the pre-fixed brackets on the wall by slotting the back of the track between the metal and the plastic clip.
- Fasten into place with the screw below.



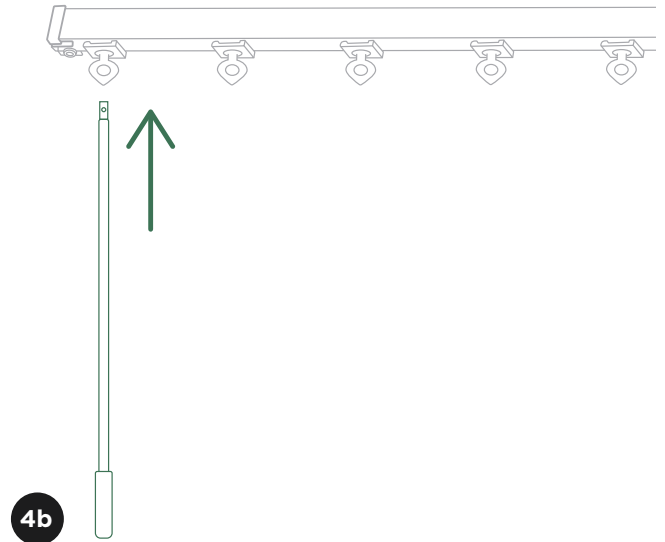
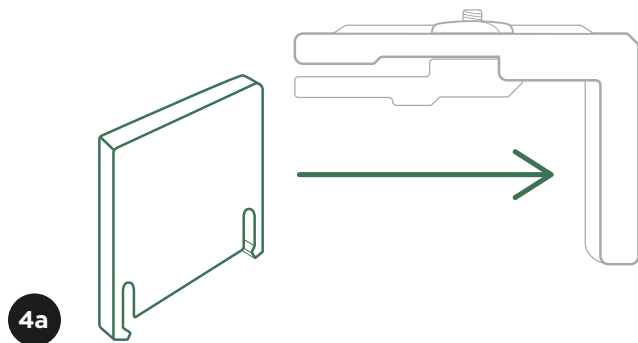
3a



3b

Step 4:

- Clip the bracket caps over the brackets.
- Connect the hand wand to the opening side of the track. This is usually hooked onto a dedicated loop inside the first runner. Otherwise, hook it onto the first runner on the opening side.



Step 5:

To hang the curtain, simply use the hooks on the back of the curtain to loop through the curtain runners.

In the case of wave-pleat curtains, the buttons on the back of the curtain will snap into the rings below the track.

